

## SUPPLEMENT TO COVER SPECIAL ORDER DETAILS

The following extras should be specified when the car is ordered, in conjunction with the recommendations as laid out in the Triumph Sports Owners' Association Handbook:—

Description.	Part No.	Remarks.
Aluminium Oil Sump Kit ... ..	502126	
Wire Wheels ... ..	202217	
Front Hub Assembly—L.H. (Splined)	108278	To be used in conjunction with Wire Wheels
Front Hub Assembly—R.H. (Splined)	108277	
Rear Hub Assembly—L.H. (Splined)	109550	
Rear Hub Assembly—R.H. (Splined)	109551	
Wheel Nut—L.H. ... ..	107949	
Wheel Nut—R.H. ... ..	107948	
Mallet for Hub End ... ..	108450	
Rear Shock Absorbers—L.H. (Competition Type) ... ..	202391	
Rear Shock Absorbers—R.H. (Competition Type) ... ..	202390	
Front Road Springs (Competition Type)	201899	Two off
Sparking Plug (Competition Type) ...	502200	
Telescopic Steering Unit Kit ... (Left hand steering)	502228	
Telescopic Steering Unit Kit ... (Right hand steering)	502231	
Lower Compression Kit ... ..	502227	May be fitted in Countries with low octane fuel
Tonneau Cover (Left hand steering) ...	552652	When ordering please state Commission No. and colour of trim.
Tonneau Cover (Right hand steering)	552649	
Road Speed Tyre ... ..	501532	
Heater Kit ... ..	551877	
Overdrive Unit Kit R.H.S. ... ..	503267	
Overdrive Unit Kit L.H.S. ... ..	503268	
Radio Kit Medium Wave ... ..	552905	
Radio Kit Long/Medium Wave ... ..	552904	
Radio Kit Medium Wave—Push Button	552903	
Radio Kit Long/Medium Wave—Push Button	552902	
Radio Kit All Wave ... ..	552059	
Occasional Seat ... ..	801264	When ordering please state colour required.

## CONDITIONS OF SALE

### Prices

The Standard Motor Company reserves the right to vary the prices quoted at any time and all goods are invoiced at prices current at time of purchase.

### Price Quotation

Prices quoted apply to the specific Part No. shown in the list overleaf, for the HOME MARKET ONLY. For EXPORT PRICES refer to your DISTRIBUTOR or DEALER.

It should be clearly understood that these prices, which do not include fitting charges, are for items supplied through your local Distributor or Dealer. Any such equipment fitted to a car before it leaves the Factory must involve additional charges for fitting, and Purchase Tax will then be involved in every instance.

### Note

A complete brochure covering all particulars of the accessories listed overleaf, can be supplied by Standard Distributor and Dealership Organisations.

### Radio

His Master's Voice Car Radio is recommended for fitting to this car and can be obtained through Radiomobile Accredited Dealers.

### Owners, Association Membership

Details for membership can be obtained from your local Distributor or Dealer.

### Literature

Every precaution has been taken to ensure accuracy, but the Company accepts no liability for errors or omissions.

### Continental Touring

Full details of Continental Touring Scheme can be obtained from Standard Distributors or Dealers (Home Market only).

MARKETED BY

**TRIUMPH MOTOR CO. (1945) LIMITED**  
SPARE PARTS DIVISION, FLETCHAMSTEAD HIGHWAY  
COVENTRY

(A Subsidiary of The Standard Motor Co. Ltd.)

F.G.R. Ltd. 7.56

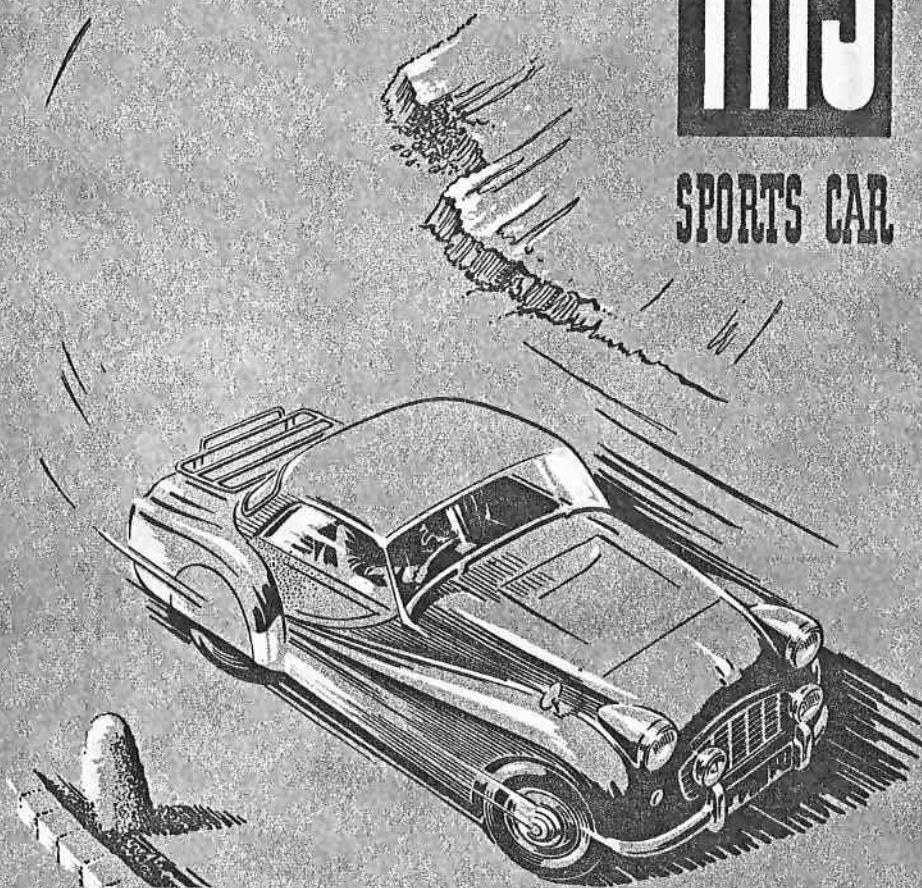
Printed in England

ACCESSORIES FOR THE

**TRIUMPH**

**TR3**

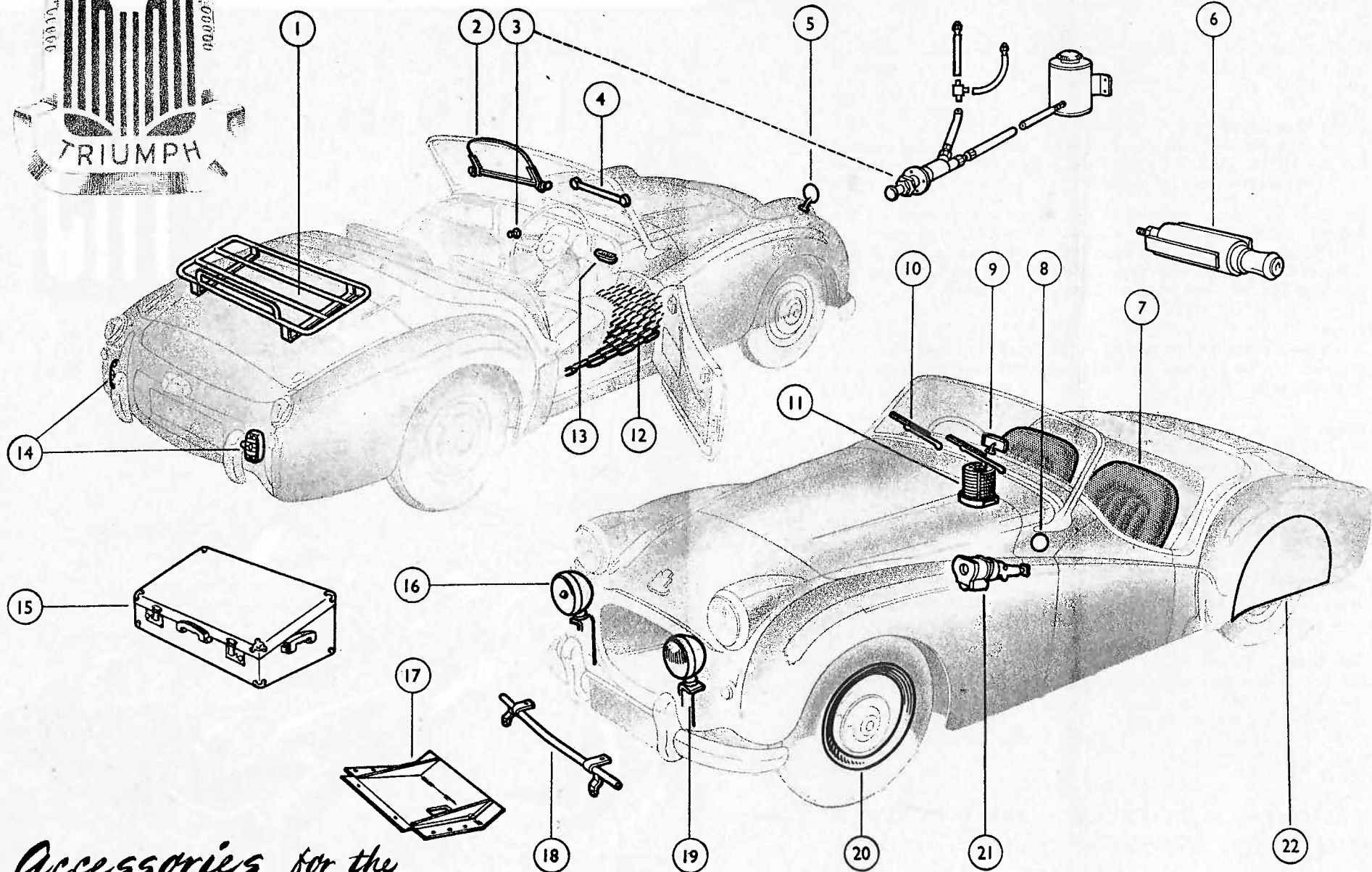
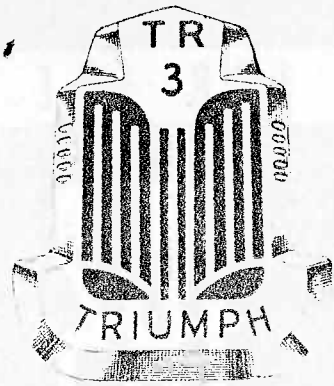
**SPORTS CAR**



Issued by

**TRIUMPH MOTOR COMPANY (1945) LIMITED**

(A Subsidiary of the STANDARD MOTOR COMPANY LIMITED)



Accessories for the  
**TRIUMPH TR-3 Sports Car**

**ACCESSORY BROCHURE - T.R.3**

Description.	Part No.	Price.	Remarks.
1 Luggage Grid ...	552398	10 0 0	
2 Special Carburettor Jet ... Needles (T.D.) (Fitted up to introduction of "Le Mans" Type Head)	108809	3 9	each. Two off See Owners' Handbook
3 Aero Windscreen ...	700896	4 10 0	each
4 Windscreen Washer ...	503729	1 3 6	
5 Defroster (Windscreen) ...	59844	1 10 0	
6 Wing Mirror ...	502459	18 9	each
7 Cigarette Lighter ...	504019	1 13 4	Includes Purchase Tax
8 Seat Covers ...	from	7 10 0	According to quality. See note.
9 Licence Holder ...	602226	2 9	For use when Aero Windscreens are fitted
10 Driving Mirror (Anti-dazzle)	553663	1 9 6	
11 Dual Speed Windscreen Wiper Kit ...	501843	13 5 0	
12 Heater Kit ...	551877	15 0 0	
13 Tailored Link Floor Mats (Basic)	552164	2 11 0	} per set. Includes Purchase Tax. See Note
14 Tailored Link Floor Mats (Coloured)	552164	4 4 6	
15 Ashtray—Swivel type ...	701019	13 4	Includes Purchase Tax
16 Reversing Light c/w Switch and Cable	502251	2 7 6	each
17 Fitted Suit Case ...	800608	15 10 10	Colour to match trim Includes Purchase Tax
18 Spot Lamp ...	501703	4 2 6	
19 Skid Plate ...	301644	1 8 6	May be fitted for Rally and Trials events
20 Badge Bar ...	552399	3 10 0	
21 Fog Lamp ...	501702	4 2 6	
22 Fog Lamp ...	70377	5 8 0	
23 Wheel Rim Finisher ...	502160	1 0 0	each. Fitted to Disc Type Wheel only
24 Overdrive Unit Kit (R.H.S.)	503267	47 10 0	
25 Overdrive Unit Kit (L.H.S.)	503268	47 10 0	
26 Rear Wheel Cover Kit ...	552083	7 17 6	} Primer Finish. When ordering please state colour required to en- able correct P.V.C. moulding to be in- cluded.
27 Hard Top Kit ...	900771	44 10 0	
28 Continental Touring Kit ...	502022	7 12 0	Supplied in Primer finish only
29 Radiator Blind ...	502866	3 0 0	See Special Note
30 Reveal Moulding Kit ...	554331	2 13 0	T.R.2 Models only
31 Radiator Grille ...	801255	7 0 0	
32 Special Carburettor Jet ... Needles (TE) (Fitted from introduction of "LeMans" Type Head)	503779	3 9	each. Two off